

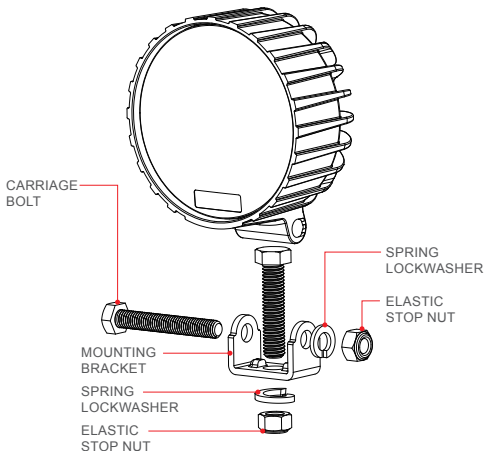
# WORK LAMP *Manual*

## OPERATION

**RED** wire: To +VDC

**BLACK** wire: To Chassis Ground (-)

## INSTALLATION



**NOTE :** *Peel protective film off the lens before use.*